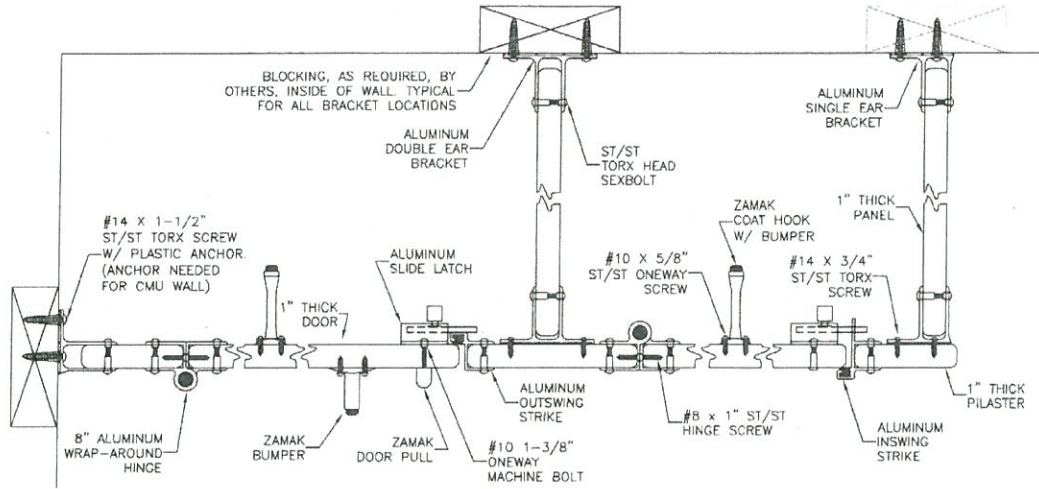


FLOOR-MOUNTED OVERHEAD-BRACED

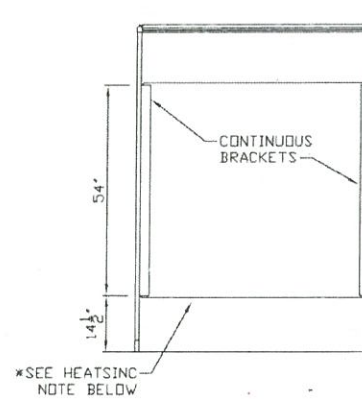
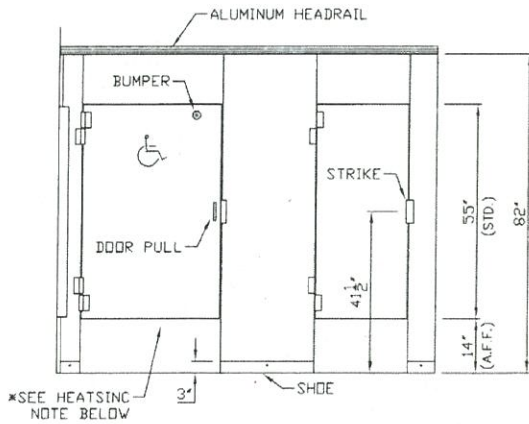
8" Aluminum Wrap-Around Hinge Continuous Aluminum Brackets

PLAN ELEVATION



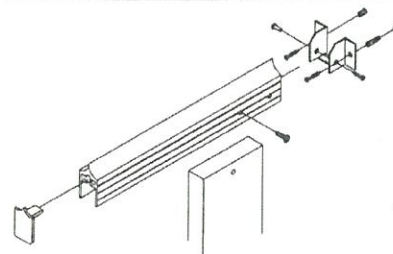
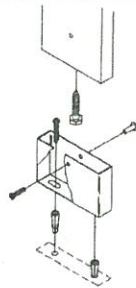
FRONT ELEVATION

SIDE ELEVATION



FLOOR MOUNT

HEADRAIL BRACE



NOTE: Job-Specific Specifications for all orders are located on shop drawing layouts

* HEATSINC: Heatsinc is to be placed on the bottom of the panels & doors. (If specified)

(Drawings are not to scale)

Drawing shown with 8" wrap-around hinge. Please see individual section for all hardware options.

Drawings for all configuration options are available at www.scrantonproducts.com and on the memory stick attached to the binder.

SECTION 10 2116

SOLID PLASTIC TOILET COMPARTMENTS

PART 1 GENERAL

1.1 SUMMARY

- A. Section Includes:
 - 1. Solid plastic [toilet compartments] [urinal screens] [privacy screens] [and] [entry partitions].
- B. Related Sections:
 - 1. Division 01: Administrative, procedural, and temporary work requirements.

1.2 REFERENCES

- A. ASTM International (ASTM):
 - 1. A167 - Standard Specification for Stainless and Heat-Resisting Chromium-Nickel Steel Plate, Sheet, and Strip.
 - 2. B221 - Standard Specification for Aluminum and Aluminum-Alloy Extruded Bars, Rods, Wire, Profiles, and Tubes.
 - 3. E84 - Standard Test Method for Surface Burning Characteristics of Building Materials.
- B. National Fire Protection Association (NFPA) 286 - Standard Methods of Fire Tests for Evaluating Contribution of Wall and Ceiling Interior Finish to Room Fire Growth.

1.3 SYSTEM DESCRIPTION

- A. Compartment Configurations:
 - 1. [Toilet partitions] [privacy screens] and [entry partitions]: Floor mounted, overhead braced.
 - 2. Urinal screens: [Wall] [Floor] mounted.

1.4 SUBMITTALS

- A. Submittals for Review:
 - 1. Shop Drawings: Include dimensioned layout, elevations, trim, closures, and accessories.
 - 2. Product Data: Manufacturer's descriptive data for panels, hardware, and accessories.
 - 3. Samples: [2 x 3] [] x [] inch samples [showing available colors.] [in each color.]
- B. Sustainable Design Submittals:
 - 1. Recycled Content: Certify percentages of post-consumer and pre-consumer recycled content.
 - 2. Regional Materials: Certify distance between manufacturer and Project and between manufacturer and extraction or harvest point in miles.

1.5 QUALITY ASSURANCE

- A. Manufacturer Qualifications: Minimum [5] [] years experience in manufacture of solid plastic toilet compartments with products in satisfactory use under similar service conditions.
- B. Installer Qualifications: Minimum [5] [] years experience in work of this Section.

1.6 WARRANTIES

- A. Provide manufacturer's 25 year warranty against breakage, corrosion, and delamination under normal conditions.

PART 2 PRODUCTS

2.1 MANUFACTURERS

- A. Contract Documents are based on products by Scranton Products. (www.scrantonproducts.com)
- B. Substitutions: [Under provisions of Division 01.] [Not permitted.]

2.2 MATERIALS

A. Doors, Panels and Pilasters:

1. High density polyethylene (HDPE), fabricated from polymer resins compounded under high pressure, forming single thickness panel.
2. Waterproof and nonabsorbent, with self-lubricating surface, resistant to marks by pens, pencils, markers, and other writing instruments.
3. 1 inch thick with edges rounded to 1/4 inch radius.
4. Recycled content: Minimum [25] percent.
5. Fire hazard classification: Not required.

**** OR ****

6. Fire hazard classification: Class [A] [B] flame spread/smoke developed rating, tested to ASTM E84.

**** OR ****

7. Fire hazard classification: Pass NFPA 286.
8. Color: [____.] [To be selected from manufacturer's full color range.]

B. Aluminum Extrusions: ASTM B221, 6463-T5 alloy and temper.

C. Stainless Steel: ASTM A167, Type 304.

2.3 HARDWARE

A. Hinges:

1. 8 inches long, fabricated from heavy-duty extruded aluminum with bright dip anodized finish, wrap-around flanges, adjustable on 30-degree increments, through bolted to doors and pilasters with stainless steel, Torx head sex bolts.
2. Hinges operate on field-adjustable nylon cams, field adjustable in 30 degree increments.

**** OR ****

B. Hinges: Stealth integral hinge from door and pilaster material with exposed metal parts on interior of stall.

**** OR ****

C. Hinges: Regal hinge fabricated from heavy-duty cast aluminum, wrap around flanges, adjustable on 30-degree increments, through bolted to doors and pilasters.

D. Door Strike and Keeper:

1. 6 inches long, fabricate from heavy-duty extruded aluminum with bright dip anodized finish, with wrap-around flanges secured to pilasters with stainless steel tamper resistant Torx head sex bolts.
2. Bumper: Extruded black vinyl.

E. Latch and Housing:

1. Heavy-duty extruded aluminum.
2. Latch housing: Bright dip anodized finish.

3. Slide bolt and button: Black anodized finish.

**** OR ****

4. Slide latch and paddle.

F. Coat Hook/Bumper:

1. Combination type, chrome plated Zamak.
2. Equip outswing handicapped doors with second door pull and door stop.

G. Door Pulls: Chrome plated Zamak.

2.4 COMPONENTS

- A. Doors and Dividing Panels: 55 inches high, mounted 14 inches above finished floor, [with aluminum heat-sinc fastened to bottom edges.]
- B. Pilasters: 82 inches high, fastened to pilaster sleeves with stainless steel tamper resistant Torx head sex bolt.
- C. Pilaster Sleeves: 3 inches high, [one-piece molded HDPE,] [20 gage stainless steel,] secured to pilaster with stainless steel tamper resistant Torx head sex bolt.
- D. Wall Brackets: 54 inches long, [Extruded PVC,] [heavy-duty aluminum, bright dip anodized finish,] fastened to pilasters and panels with stainless steel tamper resistant Torx head sex bolts.
- E. Headrail: Heavy-duty extruded aluminum, anti-grip design, clear anodized finish, fastened to headrail bracket with stainless steel tamper resistant Torx head sex bolt and at top of pilaster with stainless steel tamper resistant Torx head screws.
- F. Headrail Brackets: 20 gage stainless steel, satin finish, secured to wall with stainless steel tamper resistant Torx head screws.

PART 3 EXECUTION

3.1 INSTALLATION

- A. Install compartments in accordance with manufacturer's instructions and approved Shop Drawings.
- B. Install rigid, straight, plumb, and level.
- C. Locate bottom edge of doors and panels 14 inches above finished floor.
- D. Provide uniform, maximum 3/8 inch vertical clearance at doors.
- E. Not Acceptable: Evidence of cutting, drilling, or patching.

3.2 ADJUSTING

- A. Adjust doors and latches to operate correctly.

END OF SECTION